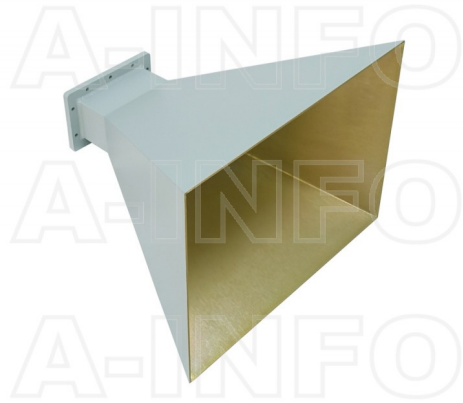


LB-650-15-A Standard Gain Horn Antenna 1.12-1.7GHz 15dB Gain Rectangular Waveguide Interface



Standard Gain Horn Antenna Operating From 1.12GHz to 1.7GHz With a Nominal 15dB Gain With Rectangular Waveguide Interface

Product Information

SKU	LB-650-15-A
-----	-------------

Description

Standard Gain Horn Antenna LB-650-15-A, operating from 1.12 to 1.7GHz with a nominal 15dB gain and low VSWR 1.15:1 with FDP14 output. The model LB-650-15-A has uniform gain through its frequency span, providing efficient performance characteristics and directionality. Constructed of lightweight corrosion-resistant aluminum, the antenna will provide years of trouble-free indoor and outdoor service. This standard gain horn antenna is linearly polarized and ideally suited for EMI testing, direction finding, surveillance, antenna gain and pattern measurements and other applications.

Technical Specification

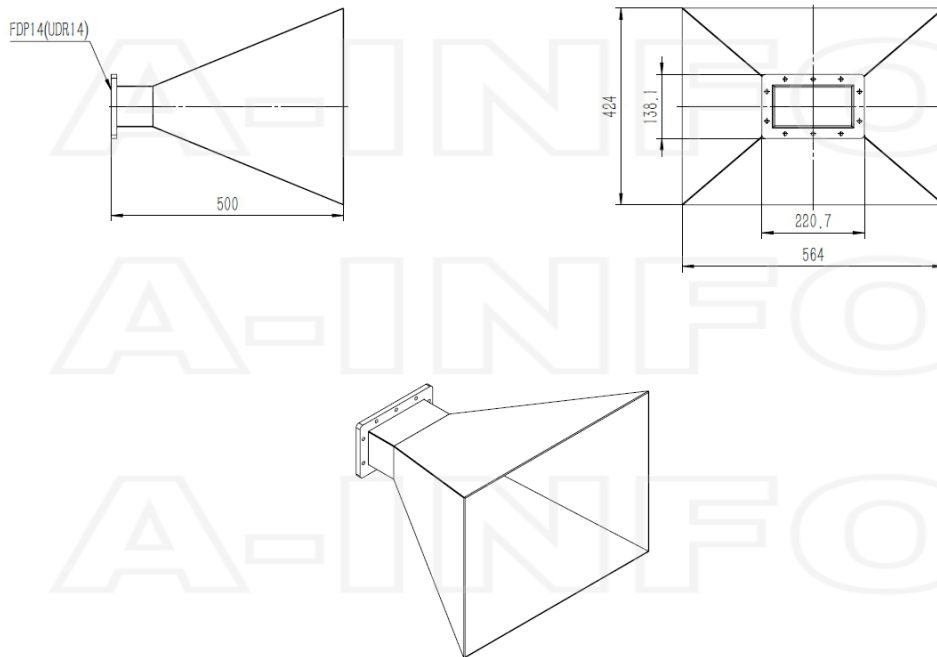
Electrical Specification		Interface	
Frequency, Min (GHz)	1.12	Output Type	Waveguide
Frequency, Max (GHz)	1.7	Flange Style	Rectangular
Waveguide Type	Rectangular	Flange Type	Cover
Waveguide Size EIA WR	WR650	Flange Designation	FDP14(UDR14)
Gain, Typ (dBi)	15	Mechanical Specification	
Polarization	Linear	Figure	A Type
3dB Beamwidth, E-Plane, Typ (Deg.)	27	Body Material	Al
3dB Beamwidth, H-Plane, Typ (Deg.)	27	Finish	Chemical Conversion Coating, Gray Paint
Cross Pol. Isolation, Typ (dB)	30	Size, W (mm)	564
VSWR, Typ	1.15:1	Size, H (mm)	424
		Size, L (mm)	500
		Weight, (kg)	5.5

Additional Information

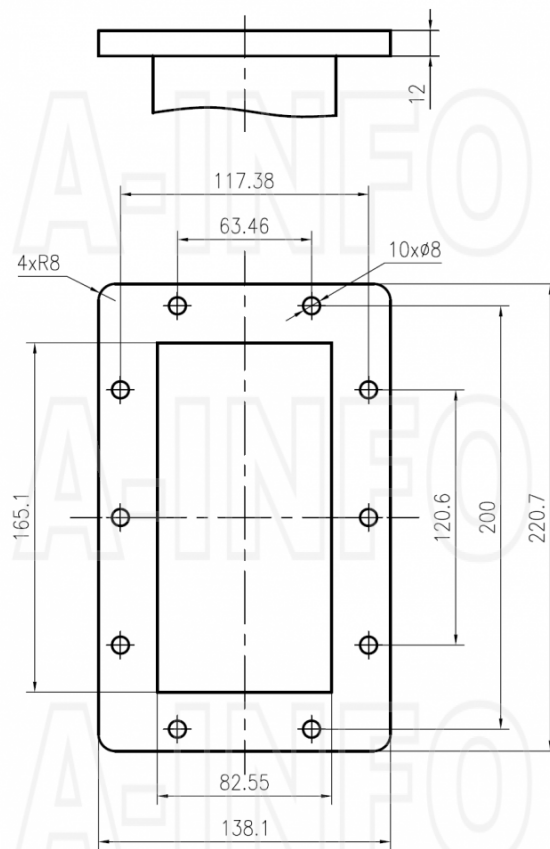
Application	General Purpose Indoor & Outdoor, Fixed	Solution for	Gain Reference Antenna Measurement Reflector Feed Far-field Measurement System Intergration Material Measurement
-------------	---	--------------	---

Outline Drawing

FDP14 Output (P/N: LB-650-15-A)



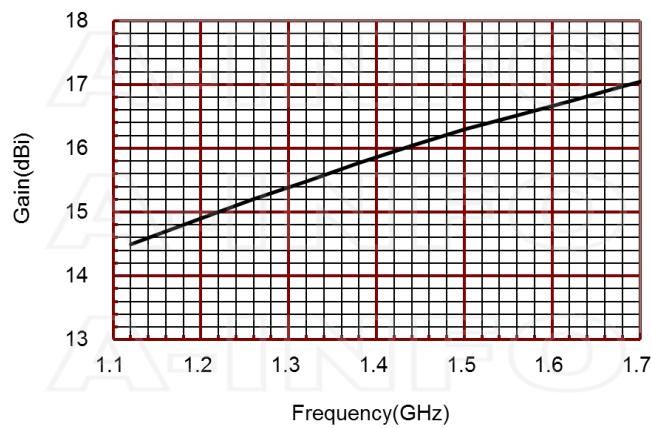
Flange Drawing



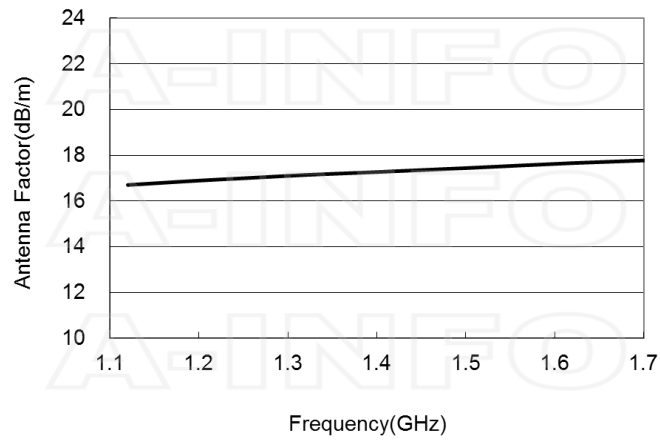
FDP14

Typical Test Results

Gain



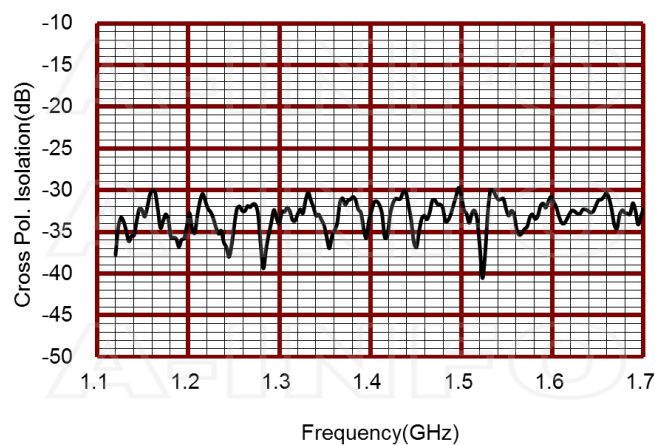
Antenna Factor



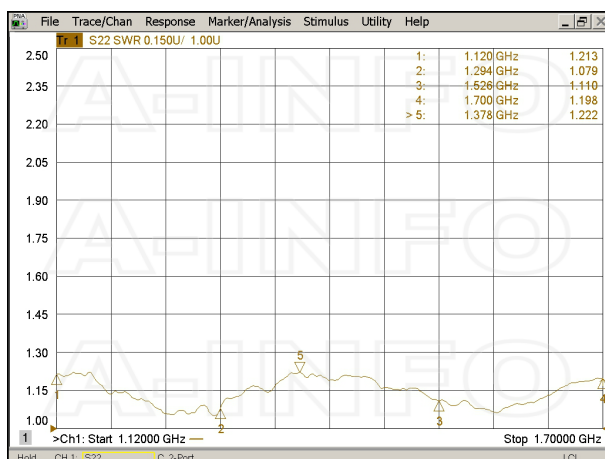
Antenna Factor (Table)

Frequency(GHz)	Gain(dBi)	Antenna Factor(dB/m)
1.12	14.49	16.70
1.20	14.90	16.89
1.26	15.20	17.02
1.32	15.48	17.14
1.38	15.77	17.24
1.44	16.04	17.34
1.50	16.29	17.44
1.56	16.52	17.55
1.62	16.74	17.66
1.68	16.97	17.75
1.74	17.19	17.83

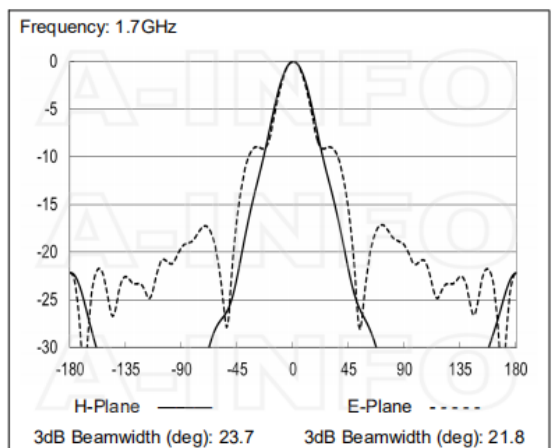
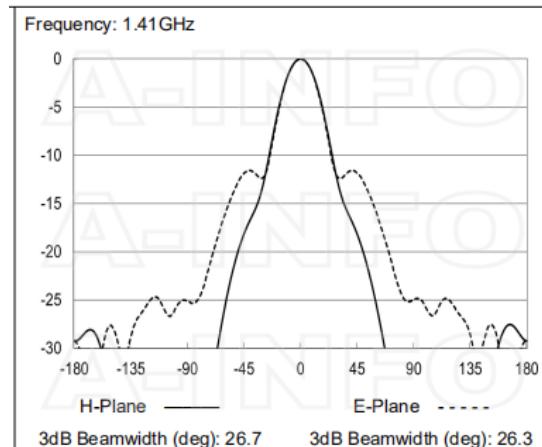
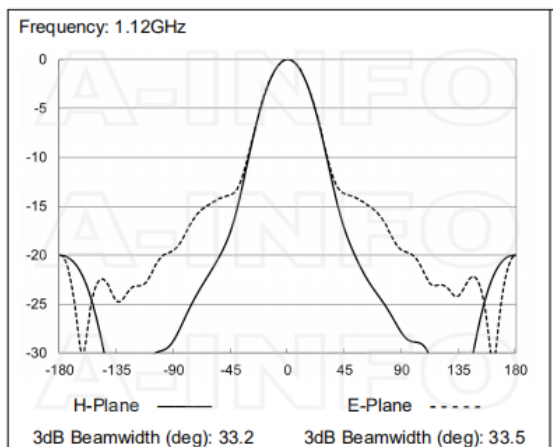
Cross Polarization Isolation



VSWR



Pattern



Related Products



650WCAN Right Angle Rectangular Waveguide to Coaxial Adapter 1.12-1.7GHz WR650 to N Type Female



650WCANM Right Angle Rectangular Waveguide to Coaxial Adapter 1.12-1.7GHz WR650 to N Type Male



650WCAS Right Angle Rectangular Waveguide to Coaxial Adapter 1.12-1.7GHz WR650 to SMA Female



650WCA7/16 Right Angle Rectangular Waveguide to Coaxial Adapter 1.12-1.7GHz WR650 to 7/16 DIN Female



650WECAN Endlaunch Rectangular Waveguide to Coaxial Adapter 1.12-1.7GHz WR650 to N Type Female



M8x40 Hex_Pack WR510-WR650 Flange Assembly Pack

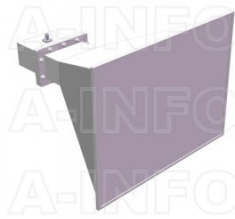
Similar Products



LB-650-15-ASPO Standard Gain Horn Antenna 1.12-1.7GHz 15dB Gain Rectangular Waveguide Interface



LB-650-15-C-NF Standard Gain Horn Antenna 1.12-1.7GHz 15dB Gain N Type Female



LB-650-15-C-NFSPO Standard Gain Horn Antenna 1.12-1.7GHz 15dB Gain N Type Female



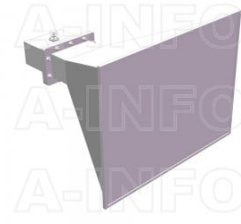
LB-650-15-C-SF Standard Gain Horn Antenna 1.12-1.7GHz 15dB Gain SMA Female



LB-650-15-C-SFSPO Standard
Gain Horn Antenna 1.12-1.7GHz
15dB Gain SMA Female



LB-650-15-C-7/16F Standard
Gain Horn Antenna 1.12-1.7GHz
15dB Gain 7/16(DIN) Female



LB-650-15-C-7/16FSP0 Standard
Gain Horn Antenna 1.12-1.7GHz
15dB Gain 7/16(DIN) Female

About this Datasheet

<ul style="list-style-type: none"> ● Product Information Product Link: https://www.ainfoinc.com/lb-650-15-a-standard-gain-horn-antenna-1-12-1-7-ghz-15db-gain-fdp14 Data subject to change without notice. © A-INFO INC. 2023. All Rights Reserved 	<ul style="list-style-type: none"> ● Contact Us Address:dd 60 Tesla, Irvine, CA 92618, USA Website: www.ainfoinc.com Email: sales@ainfoinc.com 	<ul style="list-style-type: none"> ● Phone & Fax Phone: +1-949-639-9688 +1-949-639-9608 Fax: +1-949-639-9670
---	--	---